



The world leader in electric fireplaces.

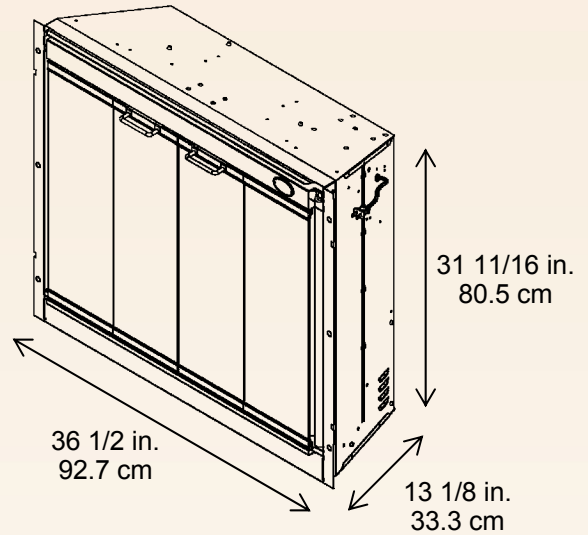
32" Multi-Fire Electric Firebox

DF3215

Product Description

The revolutionary Multi-Fire® electric firebox sets a new benchmark in fireplaces with advanced features, including the groundbreaking Purifire® air treatment system and incredible inner glow logs with pulsating embers.

- Patented electric flame technology
- Purifire air treatment system – continuously filters allergens and other irritants
- Refractory brick-look interior
- Pulsating embers and LED inner glow logs molded from wood logs for incredible realism
- Slow start/fading embers
- Intelligent heat – provides quiet operation as it self-adjusts the fan speed
- Firelight effect adds the realism of a wood fire
- Includes bi-fold glass doors and built-in adjustable mesh spark screen
- 120 Volts / 1,500 Watts / 5,120 BTU



Includes multi-function remote control

Model #	Description	lbs / kg	UPC	Wty.†	Carton Dimensions (W x H x D)		Cube	
					Inches	cm	ft³	m³
DF3215	32" Multifire electric firebox with glass bi-fold door kit	99 / 45	781052 042322	10 yr	45.3 x 33.5 x 15.8	115.1 x 85.1 x 40	13.8	0.39

Specifications, finishes and dimensions are subject to change. Patent protected: for a complete list of applicable patents visit www.dimplex.com/patents.
 *Based on average national residential electricity rates. Rates vary. †Limited warranty © 2010 Dimplex North America Limited.

Dimplex North America Limited • 1367 Industrial Road, Cambridge, Ontario, Canada, N1R 7G8 • 1-800-668-6663 • Fax: 1-800-668-6665 • www.dimplex.com